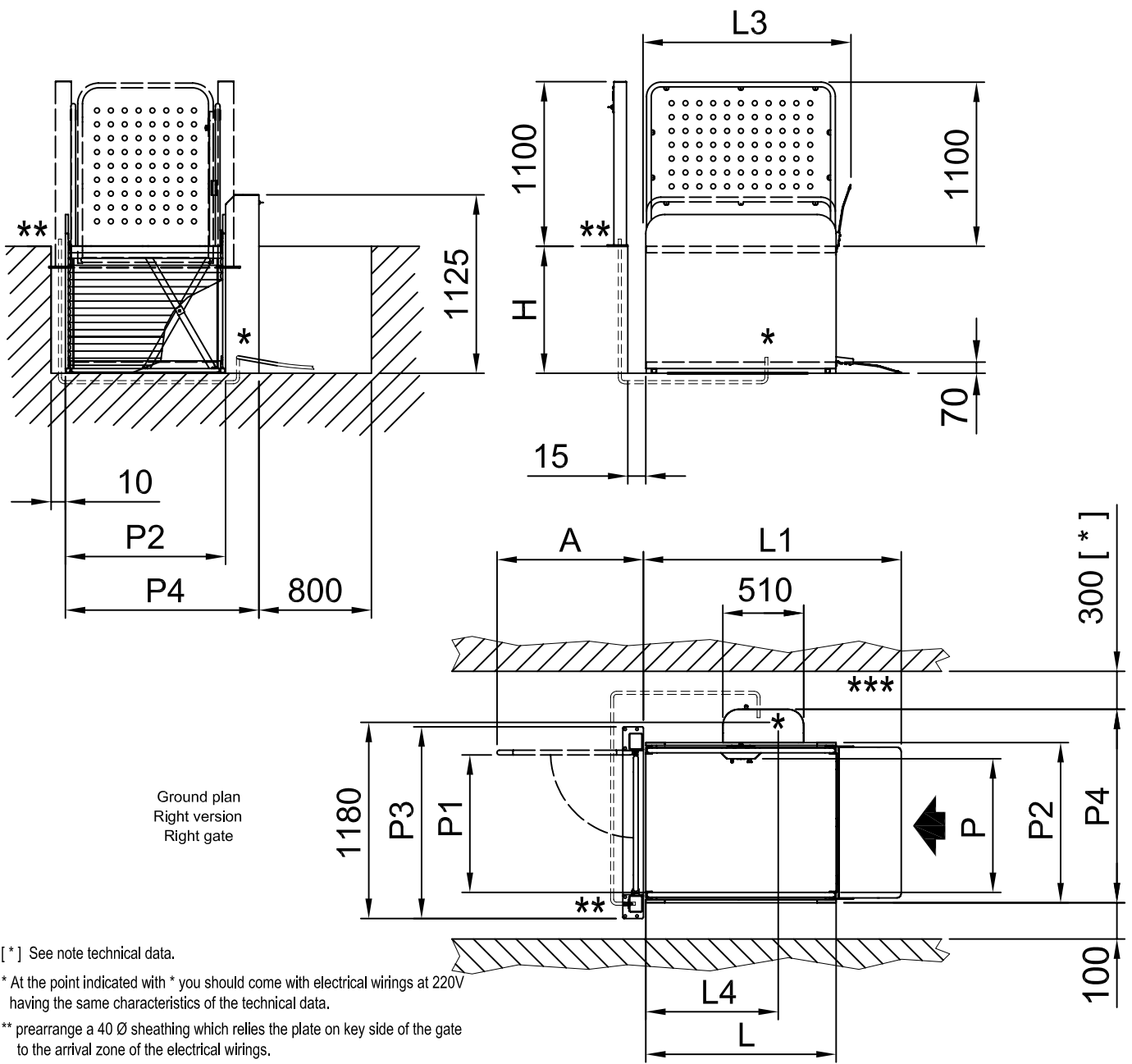


FRONT VIEW

SIDE VIEW



Ground plan
Right version
Right gate

[*] See note technical data.

* At the point indicated with * you should come with electrical wirings at 220V having the same characteristics of the technical data.

** prearrange a 40 Ø sheathing which relies the plate on key side of the gate to the arrival zone of the electrical wirings.

*** in the nearby of the platform lift it is necessary to have a current-tap for maintenance operations.

Pg 1/5

DATA	CODICE	REV.
01/04/07	8622900	B

STANDARD SIZES

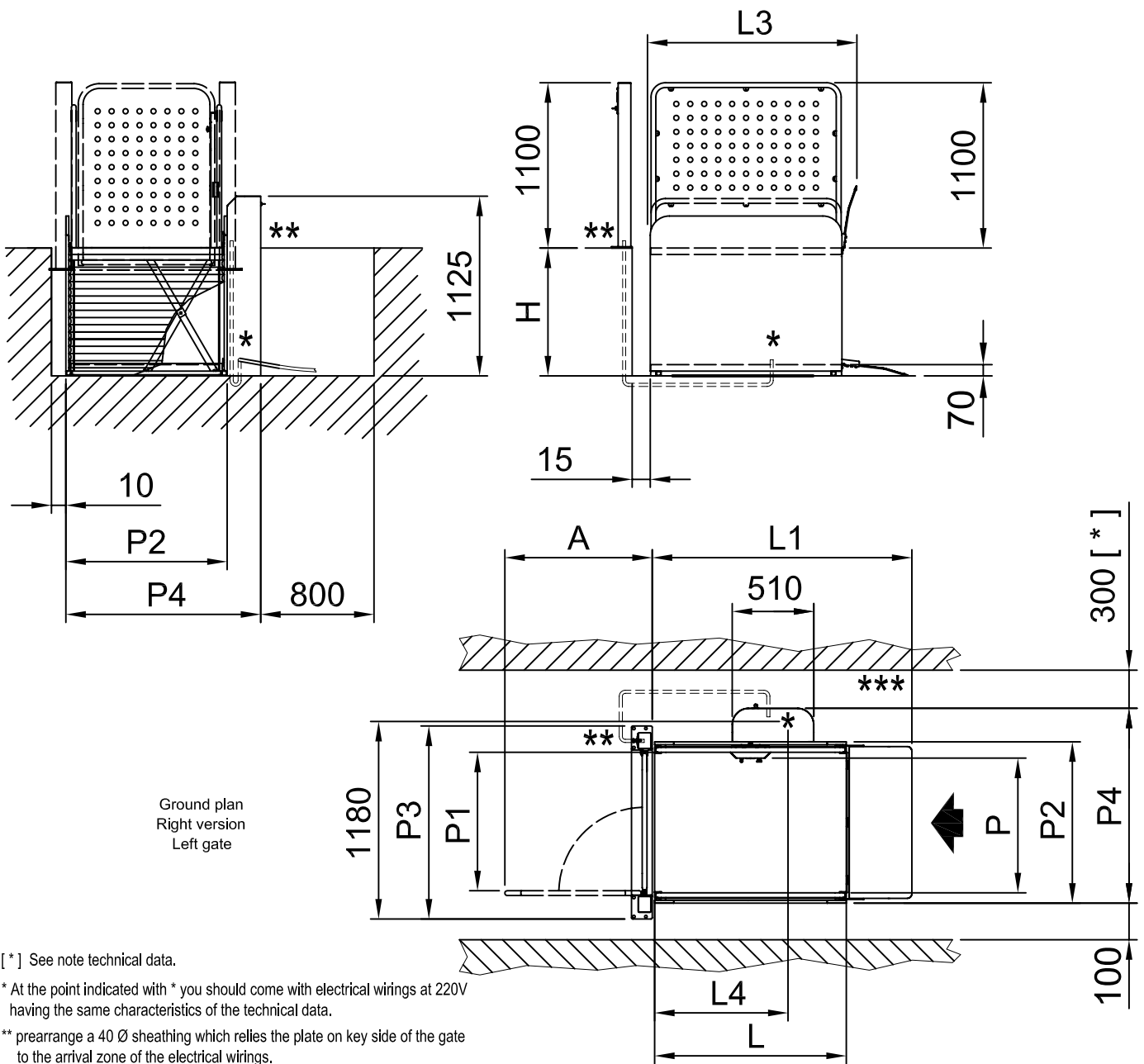
	S08 Silver (L x P)	S08 Silver (1200x850)	S08 Silver (1400x1120)	S08 Silver (1400x1250)
L	(overall length)	1200	1400	1400
L1	(overall length)	1626	1826	1826
L3	(length sluice)	1350	1550	1550
L4		850	1050	1050
P	(clear opening)	850	1120	1250
H	(overall length)	800	1000	1000
P1	(clear opening)		870	
P2	(width structure)	1010	1290	1420
P3	(width gate)		1208	
P4	(width total)	1220	1500	1630
A	(opening gate)		925	

TECHNICAL FEATURES

Rated Load	Power	Voltage	Auxiliary voltage	Speed
250 [daN]	0.6 [KW]	230 AC [V-mon.]	24 [V-DC]	[2.4m/min.]

FRONT VIEW

SIDE VIEW



[*] See note technical data.

* At the point indicated with * you should come with electrical wirings at 220V having the same characteristics of the technical data.

** prearrange a 40 Ø sheathing which relies the plate on key side of the gate to the arrival zone of the electrical wirings.

*** in the nearby of the platform lift it is necessary to have a current-tap for maintenance operations.

Pg 2/5

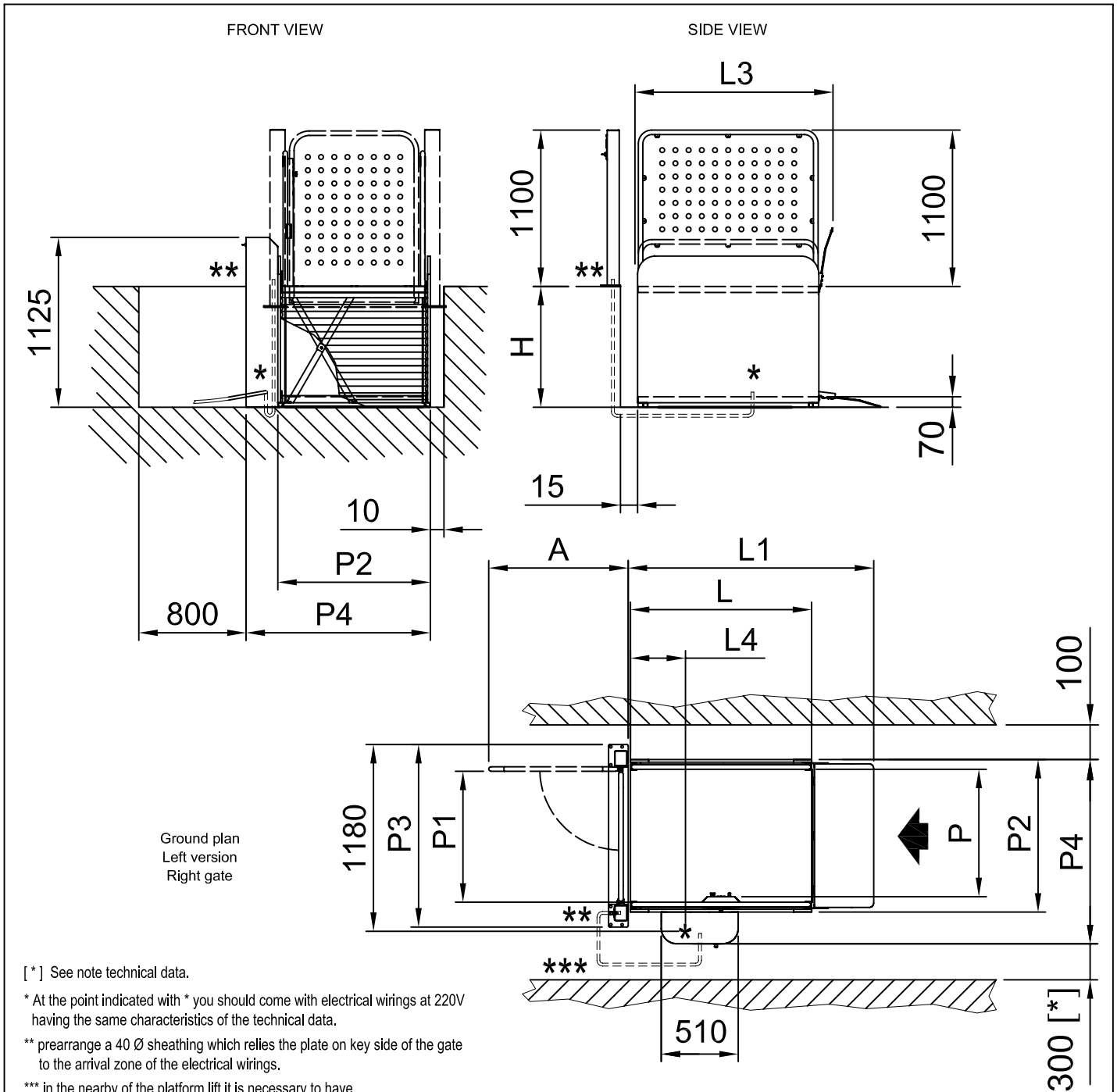
DATA	CODICE	REV.
01/04/07	8622900	B

STANDARD SIZES

	S08 Silver (L x P)	S08 Silver (1200x850)	S08 Silver (1400x1120)	S08 Silver (1400x1250)
L	(overall length)	1200	1400	1400
L1	(overall length)	1626	1826	1826
L3	(length sluice)	1350	1550	1550
L4		850	1050	1050
P	(clear opening)	850	1120	1250
H	(overall length)	800	1000	1000
P1	(clear opening)		870	
P2	(width structure)	1010	1290	1420
P3	(width gate)		1208	
P4	(width total)	1220	1500	1630
A	(opening gate)		925	

TECHNICAL FEATURES

Rated Load	Power	Voltage	Auxiliary voltage	Speed
250 [daN]	0.6 [KW]	230 AC [V-mon.]	24 [V-DC]	[2.4m/min.]



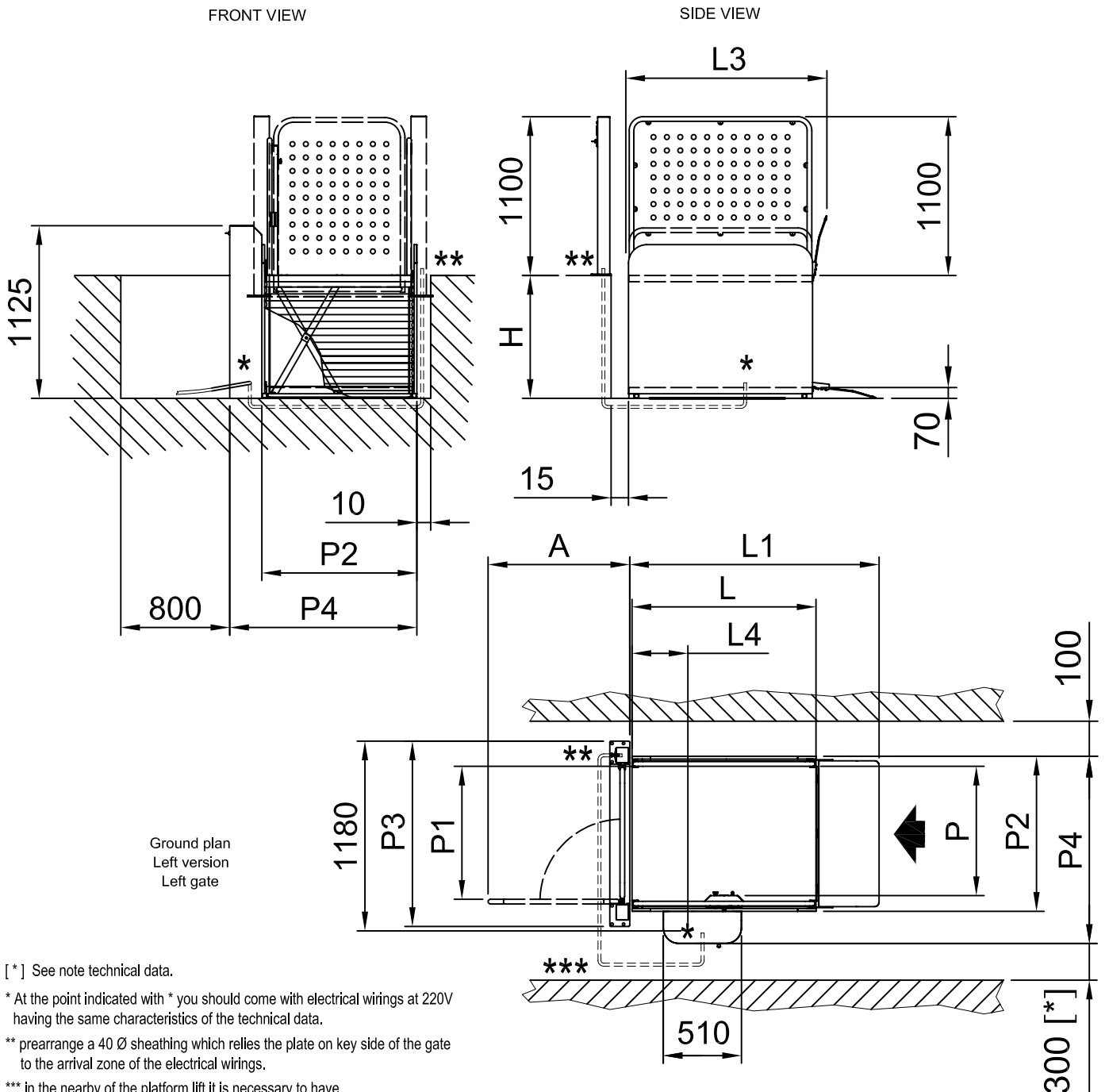
DATA	CODICE	REV.
01/04/07	8622900	B

STANDARD SIZES

	S08 Silver (L x P)	S08 Silver (1200x850)	S08 Silver (1400x1120)	S08 Silver (1400x1250)
L	(overall length)	1200	1400	1400
L1	(overall length)	1626	1826	1826
L3	(length sluice)	1350	1550	1550
L4		350	550	550
P	(clear opening)	850	1120	1250
H	(overall length)	800	1000	1000
P1	(clear opening)		870	
P2	(width structure)	1010	1290	1420
P3	(width gate)		1208	
P4	(width total)	1220	1500	1630
A	(opening gate)		925	

TECHNICAL FEATURES

Rated Load	Power	Voltage	Auxiliary voltage	Speed
250 [daN]	0.6 [KW]	230 AC [V-mon.]	24 [V-DC]	[2.4m/min.]



[*] See note technical data.

* At the point indicated with * you should come with electrical wirings at 220V having the same characteristics of the technical data.

** prearrange a 40 Ø sheathing which relies the plate on key side of the gate to the arrival zone of the electrical wirings.

*** in the nearby of the platform lift it is necessary to have a current-tap for maintenance operations.

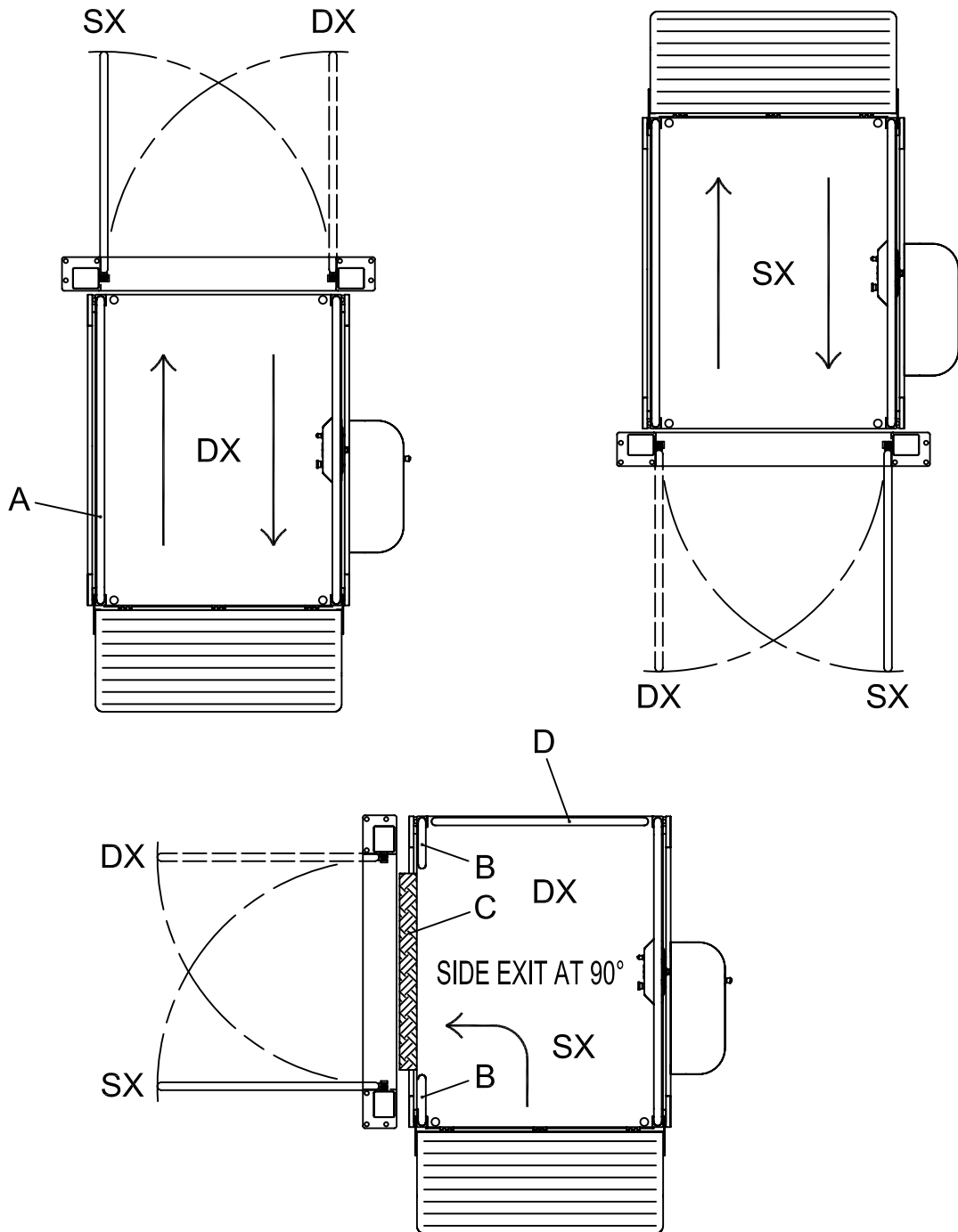
DATA	CODICE	REV.
01/04/07	8622900	B

STANDARD SIZES

	S08 Silver (L x P)	S08 Silver (1200x850)	S08 Silver (1400x1120)	S08 Silver (1400x1250)
L	(overall length)	1200	1400	1400
L1	(overall length)	1626	1826	1826
L3	(length sluice)	1350	1550	1550
L4		350	550	550
P	(clear opening)	850	1120	1250
H	(overall length)	800	1000	1000
P1	(clear opening)		870	
P2	(width structure)	1010	1290	1420
P3	(width gate)		1208	
P4	(width total)	1220	1500	1630
A	(opening gate)		925	

TECHNICAL FEATURES

Rated Load	Power	Voltage	Auxiliary voltage	Speed
250 [daN]	0.6 [KW]	230 AC [V-mon.]	24 [V-DC]	[2.4m/min.]



** SIDE EXIT AT 90° IS AN OPTIONAL AND CAN BE OBTAINED BY :

- 1) REMOVING PROTECTION WALL "A" ;
- 2) INSTALLING N° 2 PROTECTION WALLS "B" ;
- 3) INSTALLING N° 1 LOADING RAMP "C" ;
- 4) INSTALLING N° 1 PROTECTION WALL "D" .

* SIDE EXIT AT 90° IS ONLY POSSIBLE WITH S08 1000 : L = 1120 x P = 1400
L = 1250 x P = 1400